

PJC

Pendulum Jaws for Quick Jaw Change Chucks

NEW

ECONOMICAL

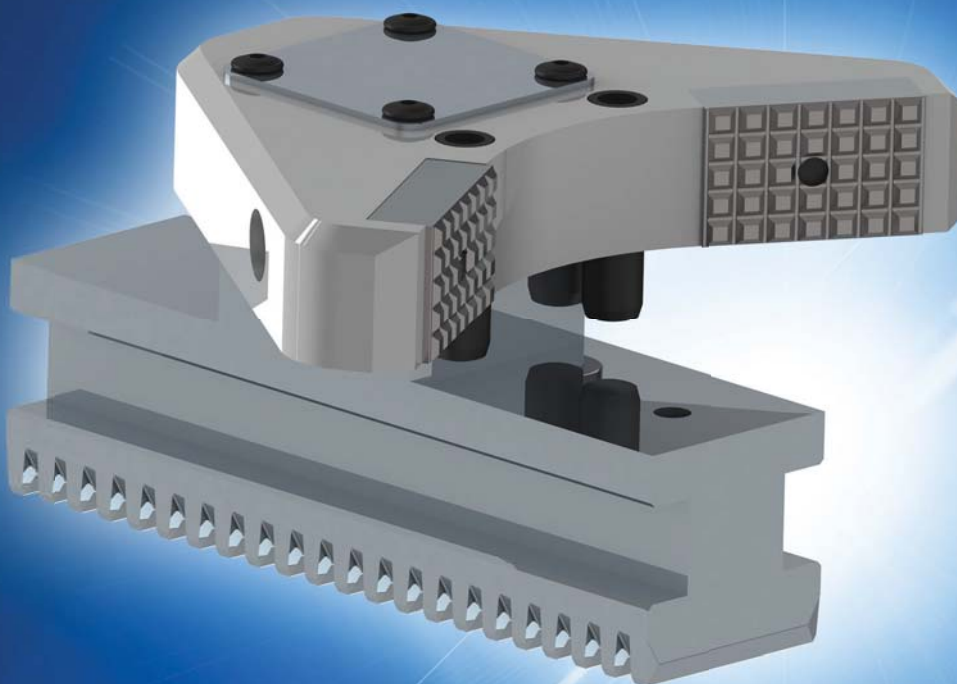
Rapid changing times
Large clamping diameters
Cost-efficient solution
Available from stock

PRECISE

Constant high quality due to
highest accuracy

LOW MAINTENANCE

Sealed: protected against
the penetration of
dust and dirt

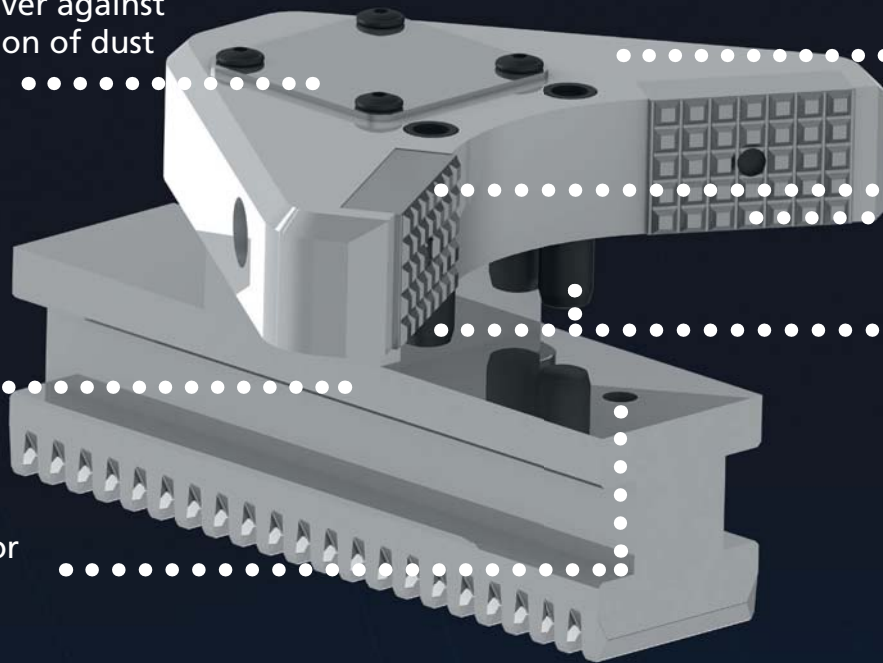


PJC Modular Design

Protection cover against the penetration of dust and swarf

Base jaw hardened

Thread M6 for stop pins



Parts can be combined in various configurations for different clamping diameters (see table)

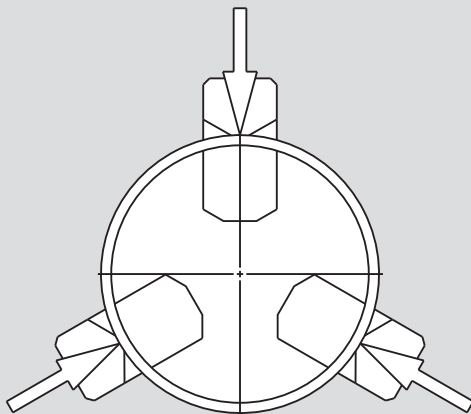
Clamping inserts (hard or soft to be bored on the chuck for OP 20)

Pins to clamp a boring ring to bore the pendulum jaw soft clamping inserts

- ▶ For thin walled or deformation sensitive components
- ▶ Cost-efficient solution
- ▶ Short set up times: from 3-point to 6-point clamping
- ▶ Modular design: all parts interchangeable

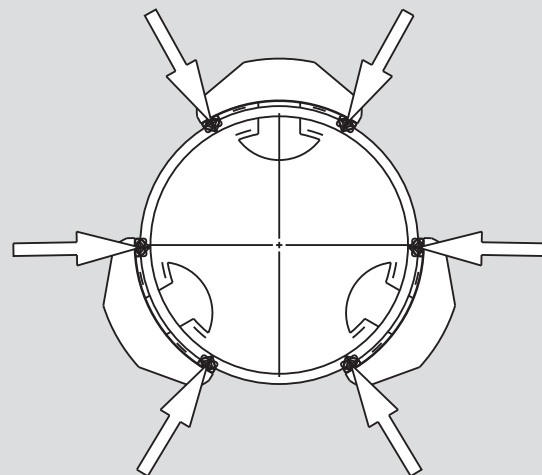
Example: Deformation of the workpiece at 3-point and 6-point clamping

Workpiece: Pipe section, 30mm length, Outside diameter 100mm, Inside diameter 90mm
Material: 16MnCr5
Clamping force: 50 kN



3-point clamping

Deformation 1,097



6-point clamping

Deformation 0,063

Improvement of factor 17

SMW-AUTOBLOK Typ	Clamping range	Pendulum jaw complete	Base jaw	Pendulum segment	Clamping insert hard	Clamping insert soft
KNCS-N 210 / KNCS-2G 210	50-90	5306271	5306368	5306370	5306373	5306374
	85-140	5306272	5306369	5306371	5305807	5306421
	135-170	5306273	5306969	5306372	5305807	5306421
KNCS-N 225 / KNCS-2G 225	50-90	5306271	5306368	5306370	5306373	5306374
	85-155	5306272	5306369	5306371	5305807	5306421
	120-175	5306273	5306969	5306372	5305807	5306421
KNCS-N 260 / KNCS-2G 260	60-100	5302901	5305802	5305803	5305804	5306420
	95-140	5302902	5305802	5305806	5305807	5306421
	135-170	5302903	5305808	5305809	5305807	5306421
KNCS-N 325 / KNCS-2G 325	75-115	5303962	5305810	5305811	5305804	5306420
	100-160	5303963	5305810	5305813	5305807	5306421
	145-215	5303964	5305815	5305816	5305807	5306421
	180-248	5303970	5305815	5305817	5305807	5306421

HG-N 210	50-90	5306271	5306368	5306370	5306373	5306374
	85-135	5306272	5306369	5306371	5305807	5306421
	128-160	5306273	5306969	5306372	5305807	5306421
HG-N 260	60-100	5302901	5305802	5305803	5305804	5306420
	85-126	5302902	5305802	5305806	5305807	5306421
	122-151	5302903	5305808	5305809	5305807	5306421
HG-N 315	80-120	5303962	5305810	5305811	5305804	5306420
	115-164	5303963	5305810	5305813	5305807	5306421
	160-207	5303964	5305815	5305816	5305807	5306421
	200-242	5303970	5305815	5305817	5305807	5306421

Design of the pendulum jaw

B Protection cover
incl. mounting screws

A Mounting bolt for
pendulum segment

A O-Ring

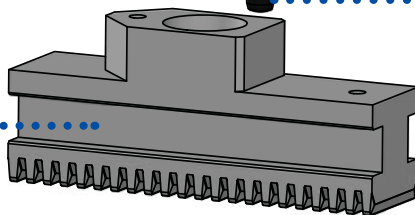
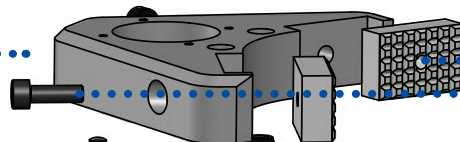
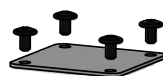
A Bushing

B Swivel return

A Centering pin

B O-Ring

A Base jaw

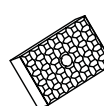


Scope of delivery

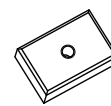
A Base jaw

B Pendulum segment

C Clamping insert (piece)



Clamping
insert
Hard



Clamping
insert
Soft

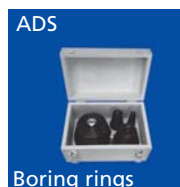
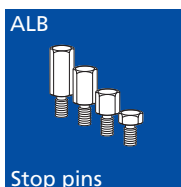
C Clamping inserts
including mounting screws

B Pins to clamp a boring
ring

Accessories and other information

Accessories see jaw catalogue. Use the free Jaw Finder application to search for jaws very quick and easy.

Further information on smw-autoblok.de





SMW-AUTOBLOK Spannsysteme GmbH
Postfach 1151 • D-88070 Meckenbeuren
Wiesentalstraße 28 • D-88074 Meckenbeuren
Tel.: +49 (0) 7542 - 405 - 0

Vertrieb Inland:
Fax: +49 (0) 7542 - 3886
E-mail ➤ vertrieb@smw-autoblok.de

Sales International:
Fax: +49 (0) 7542 - 405 - 181
E-mail ➤ sales@smw-autoblok.de



U.S.A.
SMW-AUTOBLOK Corporation
285 Egidi Drive - Wheeling, IL 60090
Tel. +1 888 - 224 - 8254
Tel. +1 847 - 215 - 0591
Fax +1 847 - 215 - 0594
E-mail ➤ autoblok@smwautoblok.com



Japan
SMW-AUTOBLOK Japan Inc.
1-5 Tamaike-Cho, Nishi-Ku
461-Nagoya
Tel. +81 (0) 52 - 504 - 0203
Fax +81 (0) 52 - 504 - 0205
E-mail ➤ japan@smwautoblok.co.jp



China
SMW-AUTOBLOK (Shanghai) Work Holding Co.,Ltd.
Building 6, No.72, JinWen Road, KongGang
Industrial Zone, ZhuQiao Town, Pudong District
201323, Shanghai P.R. China
Tel. +86 21 - 5810 - 6396
Fax +86 21 - 5810 - 6395
E-mail ➤ china@smwautoblok.cn



Mexico
SMW-AUTOBLOK Mexico, S.A. de C.V.
Pirineos No. 515-B, Nave 16
Col. Industrial Benito Juarez
Micro Parque Industrial Santiago
Queretaro, Qro. C.P. 76130
Tel. +52 (442) 209 - 5118
Fax +52 (442) 209 - 5121
E-mail ➤ smwmex@smwautoblok.mx



India
SMW-AUTOBLOK Workholding Pvt. Ltd.,
Plot No. 45, B.U. Bhandari Industrial Estate,
Sanaswadi, Tal. Shirur
DIST. PUNE - 412 208
Tel. +91 2137 - 616 974
Fax +91 2137 - 616 972
E-mail ➤ info@smwautoblok.in



Brazil
SYSTEC METALÚRGICA LTDA
R. Luiz Brisque, 980
13280-000 - Vinhedo - SP
Tel. +55 (0) 193 886 - 6900
Fax +55 (0) 193 886 - 6970
E-mail ➤ systec@systecmetal.com.br



Argentina
SMW-AUTOBLOK Argentina
Rio Pilcomay 1121 - Bella Vista
RA - 1661 Bella Vista Buenos Aires
Tel. +54 (0) 1146 - 660 603
Fax +54 (0) 1146 - 660 603
E-mail ➤ autoblok@ciudad.com.ar



AUTOBLOK s.p.a.
Via Duca D'Aosta n.24
Fraz. Novaretto
I-10040 Caprie - Torino
Tel. +39 011 - 9638411
Tel. +39 011 - 9632020
Fax +39 011 - 9632288
E-mail ➤ info@smwautoblok.it



France
SMW-AUTOBLOK
17, Avenue des Frères Montgolfier - Z.I. Mi-Plaine
F-69680 Chassieu
Tel. +33 (0) 4 - 727 - 918 18
Fax +33 (0) 4 - 727 - 918 19
E-mail ➤ autoblok@smwautoblok.fr



Great Britain
SMW-AUTOBLOK Workholding Ltd.
8, The Metro Centre
GB-Peterborough, PE2 7UH
Tel. +44 (0) 1733 - 394 394
Fax +44 (0) 1733 - 394 395
E-mail ➤ sales@smwautoblok.co.uk



Spain
SMW-AUTOBLOK IBERICA, S.L.
Ursalto 10 - Nave 2
Pol. 27 - Mateo Gaina
20014 San Sebastián (Guipúzcoa) (Spain)
Tel.: +34 943 - 225 079
Fax: +34 943 - 225 074
E-mail ➤ info@smwautoblok.es



Russia
SMW-AUTOBLOK Russia
B.Tulskaya str., 10, bld.3, off.3203,
115191 Moscow (Russia)
Tel. +7 495 -231-1011
Fax +7 495 -231-1011
E-mail ➤ info@smw-autoblok.ru



Taiwan
SMW-AUTOBLOK Taiwan
NO.6, SHUYI RD., SOUTH DIST.,
TAICHUNG, TAIWAN
Tel. +886 4-226 10826
Fax +886 4-226 12109
E-mail ➤ taiwan@smwautoblok.tw



Czech Republic / Slovakia
SMW-AUTOBLOK s.r.o.
Merhautova 20
CZ - 613 00 BRNO
Tel. +420 513 034 157
Fax +420 513 034 158
E-mail ➤ info@smw-autoblok.cz



Sweden / Norway
SMW-AUTOBLOK Scandinavia AB
Kasernvägen 2
SE - 281 35 Hässleholm
Tel. +46 (0) 761 420 111
E-mail ➤ info@smw-autoblok.se